

CARTRIDGE SEALS

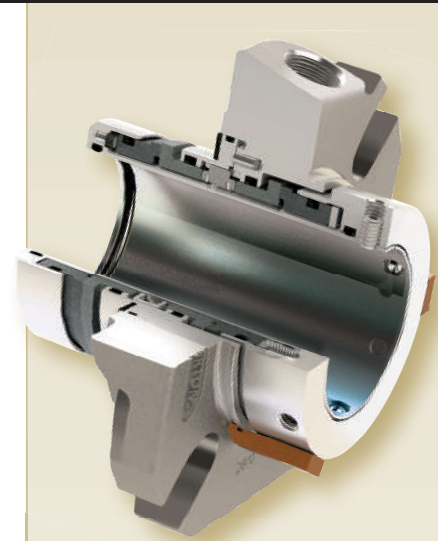
2810

Heavy-Duty Modular Double Cartridge Seal

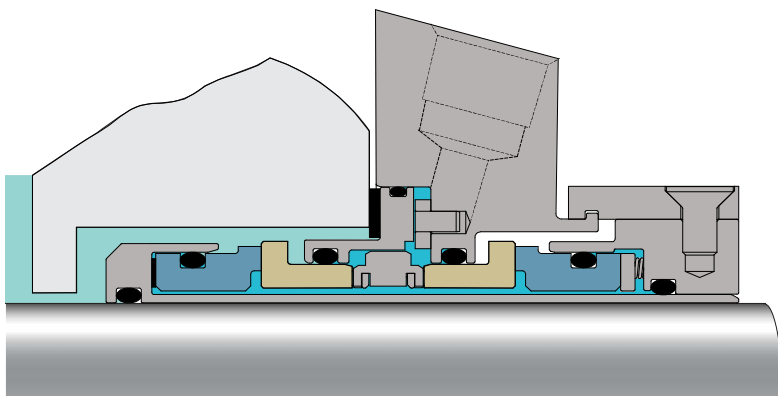
Built on Chesterton's AXIUS™ modular platform for simple configuration and emission control plant-wide

This Chesterton double cartridge seal offers you the ultimate in seal quality, flexibility, and emissions control. Leveraging Chesterton's proprietary AXIUS modular platform, the 2810 can be configured with several different face profiles and auxiliary components within a common gland housing. This flexibility allows seal performance to be tailored to a wide range of process conditions.

A plant-wide sealing solution, the 2810 uses a geometric double-balanced seal face design. An optimized barrier/buffer channel for enhanced fluid flow provides greater seal reliability even at elevated temperatures.



- Simplifies configuration and maximizes seal performance with the AXIUS™ modular platform
- Maintains reliability throughout temperature cycling and stop/start processes with monolithic seal faces
- Increases face life and reduces contact stress with cushioned drive pins
- Accommodates axial, radial, and angular shaft movement through unified seal face alignment
- Allows for easy, positive seal identification with ViewIn™ technology

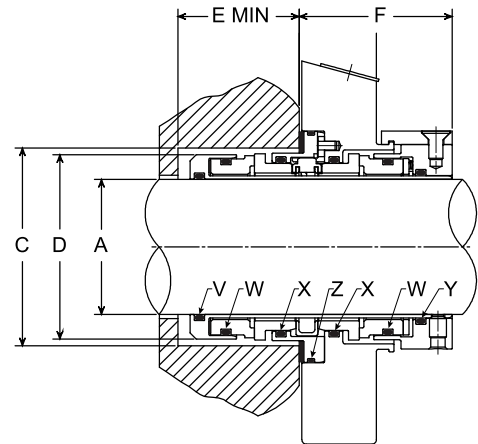
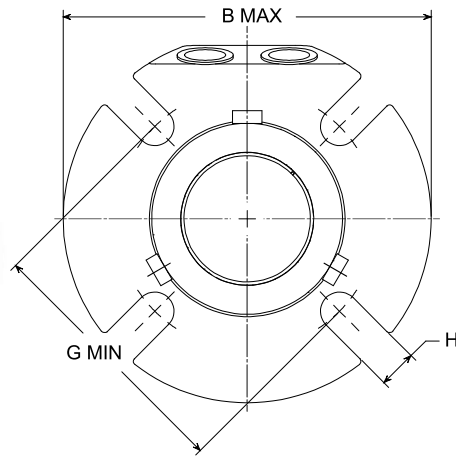
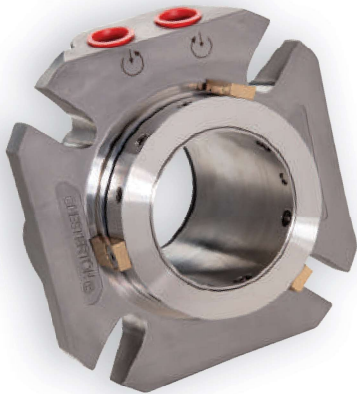


Operating Conditions		Materials	
Size	25 mm – 120 mm (1.000" – 4.750")	Faces	CB, SSC, TC
Pressure	711 mm (28") Hg Vacuum – 40 bar g (600 psig)*	Elastomers	FKM, EPDM, FEPM, FFKM
Temperature	-55°C – 300°C (-67°F – 570°F)	Metals	EN 1.4401 (316SS)
Speed	25 m/s (5000 fpm)	Springs	EN 2.4819 (Alloy C-276)

Standards and Approvals: ISO-3069C, ASME B73.1, ASME B73.2, ATEX

* Seal pressure capabilities are dependent on the fluid sealed, temperature, speed, and seal face combinations. For operation outside the limits and additional materials consult Chesterton Mechanical Seal Engineering.

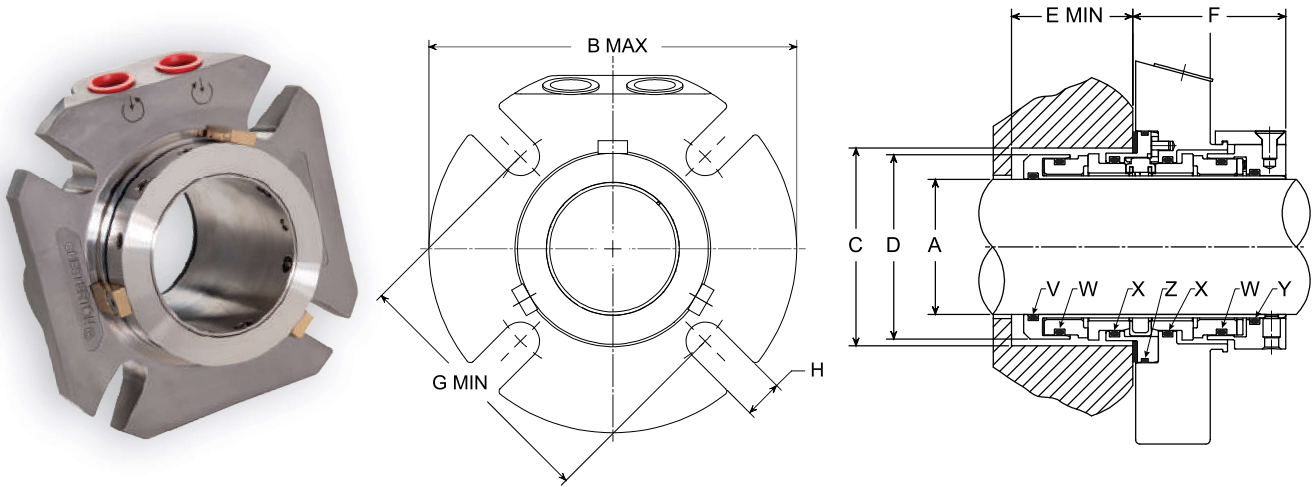
2810 Heavy-Duty Modular Double Cartridge Seal – Metric



Key				
A – Shaft Size	D – Inboard Seal Diameter	G – Minimum Bolt Circle by Bolt Size	W – Rotary Seal O-Ring	Z – Adapter O-Ring
B – Gland Outside Diameter	E – Seal Chamber Depth	H – Slot Width	X – Stationary Seal O-Ring	Y – Lock Ring O-Ring
C – Seal Chamber Bore	F – Outboard Seal Length	V – Shaft O-Ring		

A	B MAX	C MIN	C MAX	D MAX	E MIN	F MAX	10 mm	G MIN 12 mm	16 mm	H	V	W	X	Y	Z
25	104	44	54	43	40	54	73	–	–	11	120	126	127	121	034
28	104	47	57	46	40	54	76	–	–	11	122	128	129	123	034
30	104	49	59	48	40	54	78	–	–	11	123	129	130	125	036
32	104	51	61	50	40	54	80	–	–	11	124	130	131	126	036
33	114	52	62	51	40	54	81	83	–	14	125	131	132	127	036
35	111	54	64	53	40	54	85	85	–	14	126	132	133	128	037
38	114	57	66	56	40	54	86	88	–	14	128	134	135	130	038
40	127	59	68	58	40	54	90	92	–	13	129	135	136	131	039
42	127	61	68	60	40	54	89	92	–	13	130	137	138	133	039
43	127	62	68	61	40	54	94	96	–	13	131	137	138	133	040
45	139	64	73	63	40	54	95	97	–	13	133	139	140	134	041
48	139	67	73	66	40	54	95	97	–	13	134	141	142	136	041
50	139	69	78	68	40	54	100	102	–	13	136	142	143	137	042
53	152	73	87	72	40	54	109	111	115	17	137	144	145	140	041
55	152	74	83	73	40	54	105	107	119	17	139	145	146	140	041
58	152	80	91	78	40	54	116	118	122	17	141	148	149	143	044
60	152	80	91	78	40	54	116	118	130	17	142	148	149	143	044
65	164	86	101	84	40	54	–	128	132	17	145	151	151	146	045
70	196	96	113	93	52	64	137	141	–	17	232	236	237	151	157
75	202	102	119	99	52	64	143	147	–	17	234	238	239	5557	158
80	203	106	122	103	52	64	149	151	–	17	236	239	240	153	158
85	211	111	129	109	52	64	156	159	163	21	237	241	242	153	159
90	214	116	132	113	52	64	160	164	168	21	239	242	243	154	160
95	221	121	138	118	52	64	161	156	169	21	240	244	245	155	161
100	228	127	144	125	52	64	168	172	176	21	242	246	247	5833	162
110	237	137	154	134	52	64	178	182	186	21	245	249	250	157	163
120	266	146	163	144	52	64	190	194	197	21	248	252	253	5403	165

2810 Heavy-Duty Modular Double Cartridge Seal – Inch



Key				
A – Shaft Size	D – Inboard Seal Diameter	G – Minimum Bolt Circle by Bolt Size	W – Rotary Seal O-Ring	Z – Adapter O-Ring
B – Gland Outside Diameter	E – Seal Chamber Depth	H – Slot Width	X – Stationary Seal O-Ring	Y – Lock Ring O-Ring
C – Seal Chamber Bore	F – Outboard Seal Length	V – Shaft O-Ring		

A	B MAX	C MIN	C MAX	D MAX	E MIN	F MAX	3/8"	G MIN 1/2"	5/8"	H	V	W	X	Y	Z
1.000	4.11	1.75	2.13	1.69	1.58	2.13	2.87	–	–	0.44	120	126	127	122	034
1.125	4.11	1.88	2.26	1.82	1.58	2.13	3.00	–	–	0.44	122	128	129	124	034
1.250	4.11	2.00	2.38	1.94	1.58	2.13	3.12	–	–	0.44	124	130	131	126	036
1.375	4.36	2.13	2.51	2.07	1.58	2.13	3.25	3.37	–	0.57	126	132	133	128	037
1.500	4.49	2.25	2.63	2.19	1.58	2.13	3.38	3.50	–	0.57	128	134	135	130	038
1.625	4.99	2.38	2.69	2.32	1.58	2.13	3.51	3.63	–	0.57	130	136	137	132	039
1.750	5.49	2.50	2.81	2.44	1.58	2.13	3.62	3.75	–	0.57	132	138	139	134	040
1.875	5.49	2.63	2.94	2.57	1.58	2.13	3.75	3.87	–	0.57	134	140	141	136	041
2.000	5.49	2.75	3.19	2.69	1.58	2.13	4.13	4.25	–	0.57	136	142	143	138	042
2.125	5.99	2.88	3.44	2.81	1.58	2.13	4.25	4.38	4.50	0.69	138	144	145	140	043
2.250	5.99	3.00	3.56	2.94	1.58	2.13	4.37	4.50	4.62	0.69	140	146	147	142	043
2.375	5.99	3.13	3.59	3.07	1.58	2.13	4.58	4.71	4.83	0.69	142	148	149	144	044
2.500	6.49	3.25	3.81	3.19	1.58	2.13	4.62	4.75	4.87	0.69	144	150	151	146	045
2.625	6.49	3.38	3.94	3.32	1.58	2.13	5.00	5.12	5.25	0.69	146	151	151	148	045
2.750	7.71	3.75	4.44	3.67	2.05	2.50	5.42	5.55	–	0.69	232	236	237	151	157
2.875	7.83	3.88	4.56	3.79	2.05	2.50	5.50	5.71	–	0.69	233	237	238	151	157
3.000	7.94	4.00	4.69	3.92	2.05	2.50	5.65	5.77	–	0.69	234	238	239	152	158
3.125	7.99	4.13	4.81	4.04	2.05	2.50	5.80	5.92	–	0.69	235	239	240	152	158
3.250	8.19	4.25	4.94	4.17	2.05	2.50	5.93	6.17	–	0.69	236	240	241	153	159
3.375	8.31	4.38	5.06	4.29	2.05	2.50	6.05	6.30	6.39	0.81	237	241	242	153	159
3.500	8.44	4.50	5.19	4.42	2.05	2.50	6.18	6.31	6.43	0.81	238	242	243	154	160
3.625	8.49	4.63	5.31	4.54	2.05	2.50	6.31	6.52	6.62	0.81	239	243	244	154	160
3.750	8.72	4.75	5.44	4.67	2.05	2.50	6.38	6.51	6.63	0.81	240	244	245	155	161
3.875	8.84	4.88	5.56	4.79	2.05	2.50	6.52	6.72	6.82	0.81	241	246	247	156	161
4.000	8.96	5.00	5.69	4.92	2.05	2.50	6.66	6.78	6.91	0.81	242	246	247	156	162
4.125	8.99	5.13	5.81	5.04	2.05	2.50	6.79	6.90	7.03	0.81	243	247	248	157	162
4.250	8.99	5.25	5.94	5.17	2.05	2.50	6.92	7.17	7.26	0.81	244	248	249	157	163
4.375	9.34	5.38	6.06	5.29	2.05	2.50	7.03	7.15	7.28	0.81	245	249	250	157	163
4.500	9.49	5.50	6.19	5.42	2.05	2.50	7.18	7.30	7.43	0.81	246	250	251	158	164
4.625	9.49	5.63	6.31	5.54	2.05	2.50	7.30	7.55	7.65	0.81	247	251	252	158	164
4.750	10.49	5.75	6.47	5.67	2.05	2.50	7.41	7.66	7.75	0.81	248	252	253	159	165